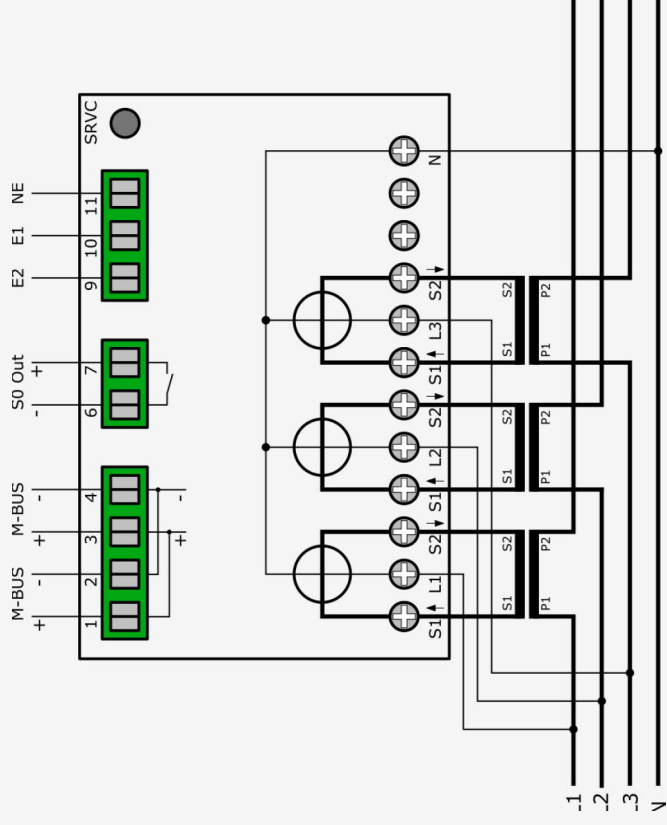


# Professional II 3/5 M-Bus



# Professional 3/100 M-Bus

